

Anago KST200e & KST300e Auto - Spare Parts Diagram



KST-CM-2 2kg Calibration Mass

KST-SI Screen Insert

- Specify which insert is required

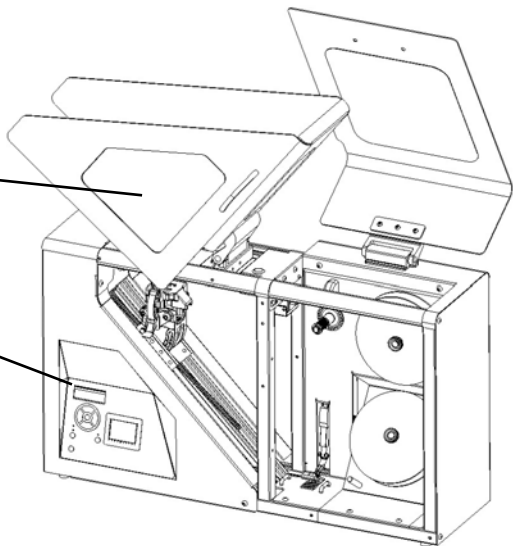
KST-KYP Keypad

Internal:

KST-PCBA-400 Motherboard—Auto Config v4.00

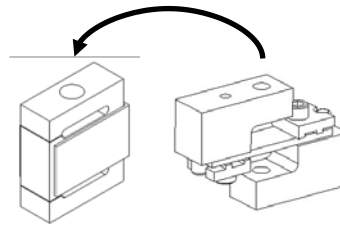
KST-BATT Battery

- KSTs before Serial No. 19070000 and all 00003XXX: Specify 'Type A' Battery

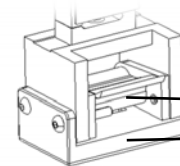


Need a load cell replacement? Talk to us about our upgrade option!

KST-LC-UPG Load Cell Upgrade

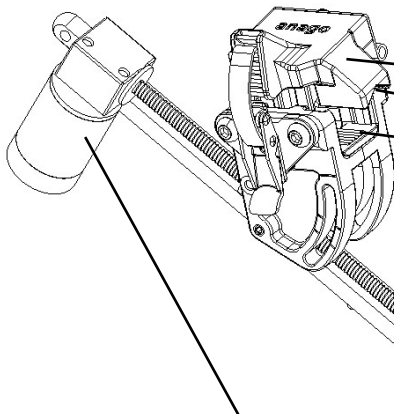


KST-LC Load Cell



KST-SLC Top Self-locking Clamp

KST-TMG Top Media Guide



KST-MDS-12 KST200e Motor & Drive Assembly

KST-MDS-15 KST300e Motor & Drive Assembly

KST-RPC-L Rapid Clamp Lid

KST-RPC-PD-T Top Rapid Clamp Pad Set

KST-RPC-PD-B Bottom Rapid Clamp Pad Set

Upgrade options for older knife clamps:

KST-RPC-K Rapid Clamp Kit (excludes base mount)

KST-RPC-FK Rapid Clamp Kit (full assembly)

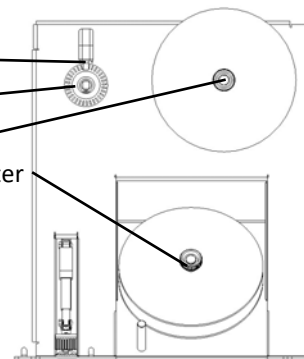
KST-POT Potentiometer

KST-PI Photointerrupter

KST-PI-SP Photointerrupter Spindle

KST-TMSA Top Media Shaft Adapter

KST-BMSA Bottom Media Shaft Adapter

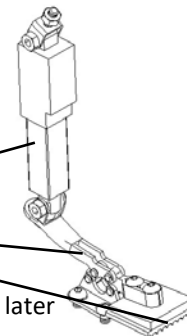


KST-MCA Media Clamp Actuator

KST-LMC Lower Media Clamp

KST-LMC-P Lower Media Clamp Pad Set

- Requires Firmware Update v6.40 or later



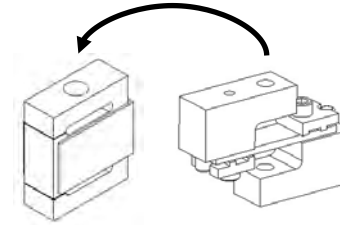
Anago KST200e & KST300e Standard - Spare Parts Diagram



KST-CM-2 2kg Calibration Mass

Need a load cell replacement? Talk to us about our upgrade option!

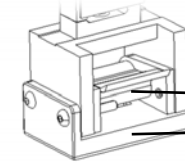
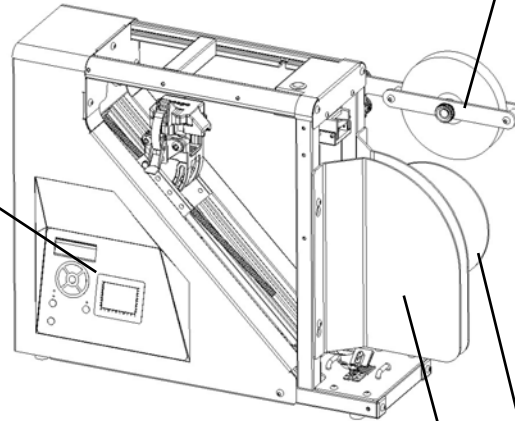
KST-LC-UPG Load Cell Upgrade



KST-LC Load Cell

KST-KYP Keypad

KST-TMH Top Media Holder



KST-SLC Top Self-locking Clamp

KST-TMG Top Media Guide

KST-BMH Bottom Media Holder

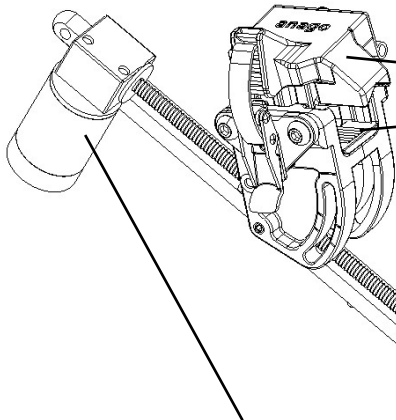
KST-GS Guard Screens

Internal:

KST-PCBS-400 Motherboard—Standard Config v4.00

KST-BATT Battery

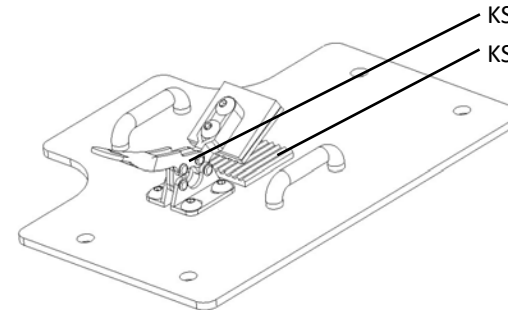
- KSTs before Serial No. 19070000 and all 00003XXX: Specify 'Type A' Battery



KST-RPC-L Rapid Clamp Lid

KST-RPC-PD-B Bottom Rapid Clamp Pad

Upgrade options for older knife clamps:
 KST-RPC-K Rapid Clamp Kit (excludes base mount)
 KST-RPC-FK Rapid Clamp Kit (full assembly)



KST-LMC Lower Media Clamp

KST-LMC-P Lower Media Clamp Pad Set

KST-MDS-12 KST200e Motor & Drive Assembly

KST-MDS-15 KST300e Motor & Drive Assembly

KST-POT Potentiometer

